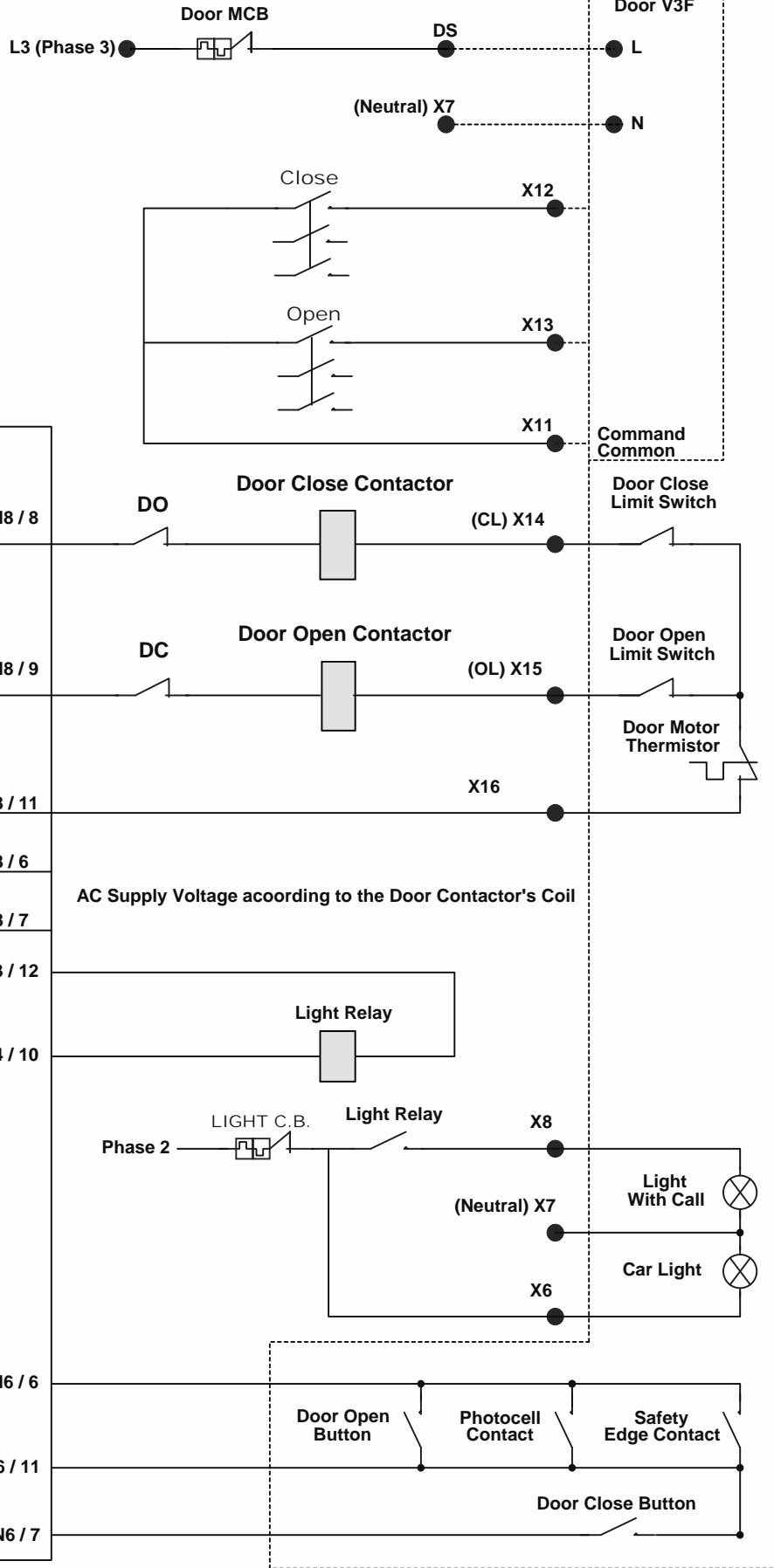
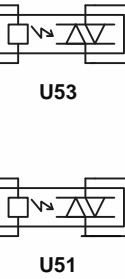


CAR

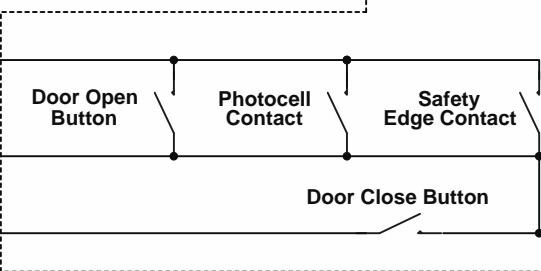
DOOR MOTOR



UIC MOTHER BOARD



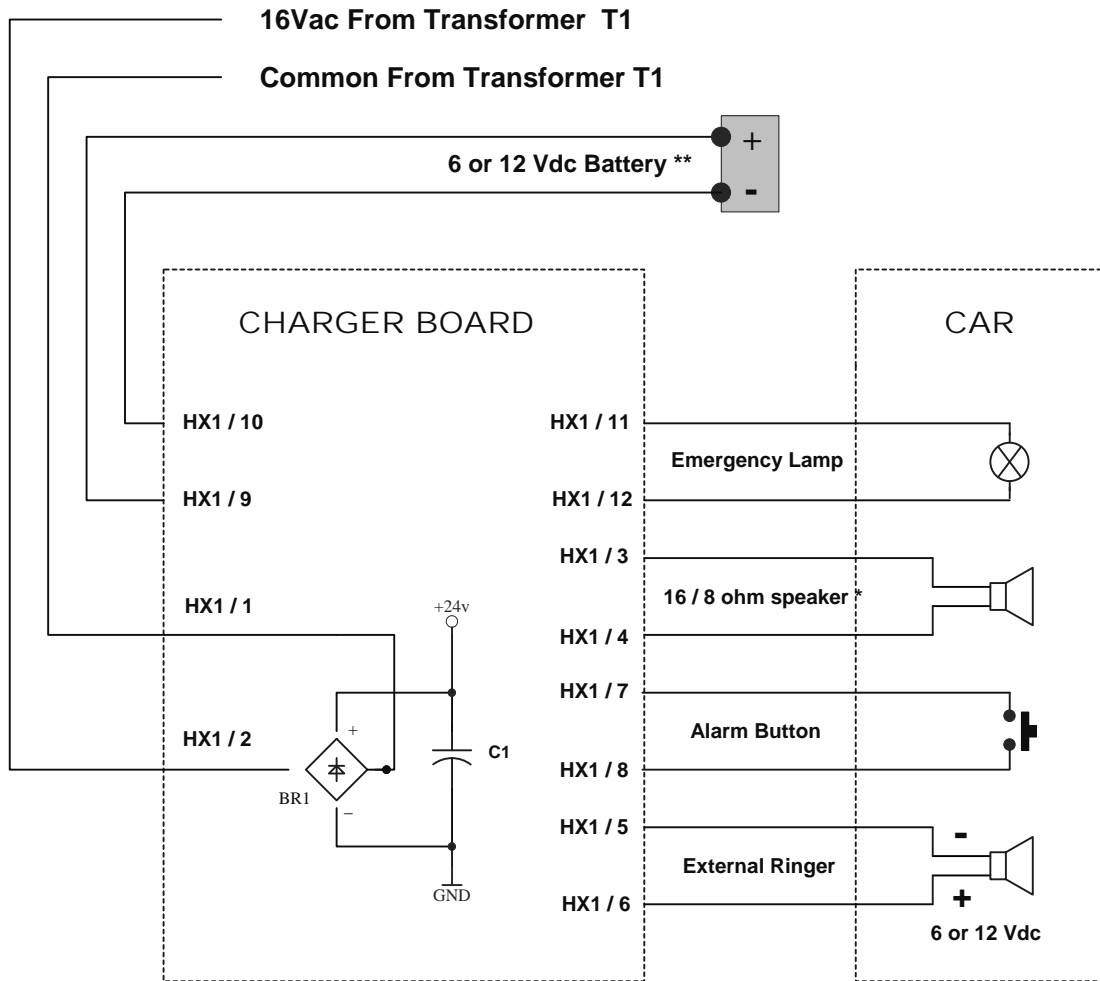
AC Supply Voltage according to the Door Contactor's Coil



\* Refer to sheet 1

Title UIC - 2 Speed  
V3F Door Motor Wiring

Size A4	Number	Revision 1
Date: 10/11/14	Sheet 9 of 17	
File: D:\Projects Data\19_V3F Door Motor	Drawn By: Eng. Radwan Abu Tubbaneh	



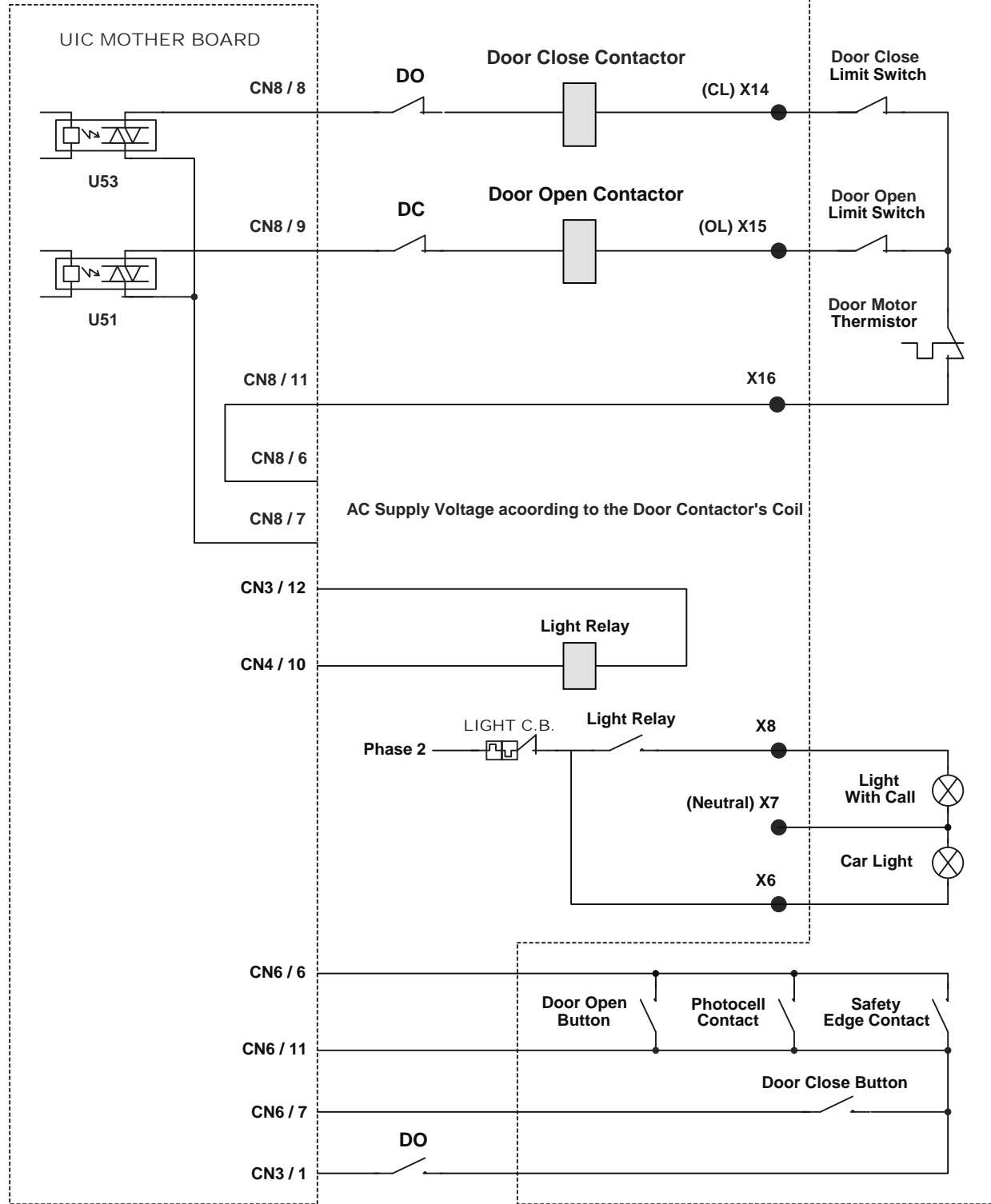
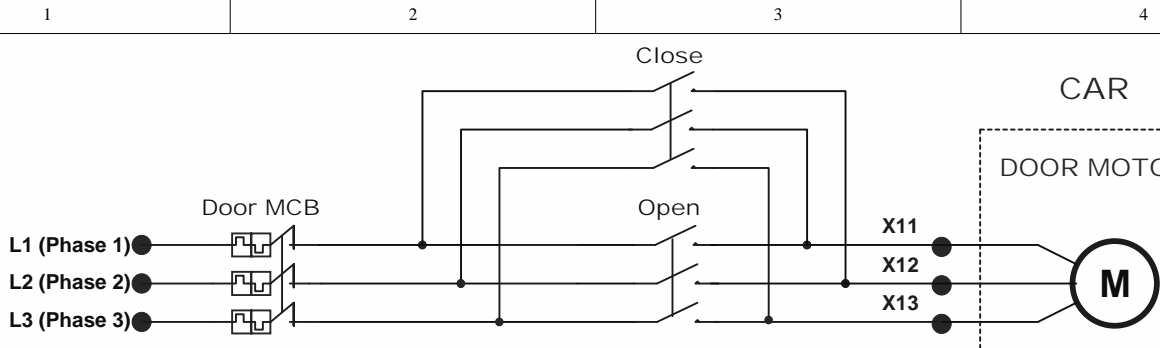
\* If R3 is mounted, the speaker must be 16 ohm.

\*\* If J1 is exist on the Auxiliary Board, External Ringer & Emergency Lamp must be 12Vdc.

\*\* If J1 is not exist on the Auxiliary Board, External Ringer & Emergency Lamp must be 6Vdc.



Title <b>Charger Board Connections</b>		
Size A4	Number	Revision 3
Date: 10/11/14	Sheet 8 of 16	
File: D:\Projects Data\17_Charger Board Connections\17_Charger Board Connections.dwg		

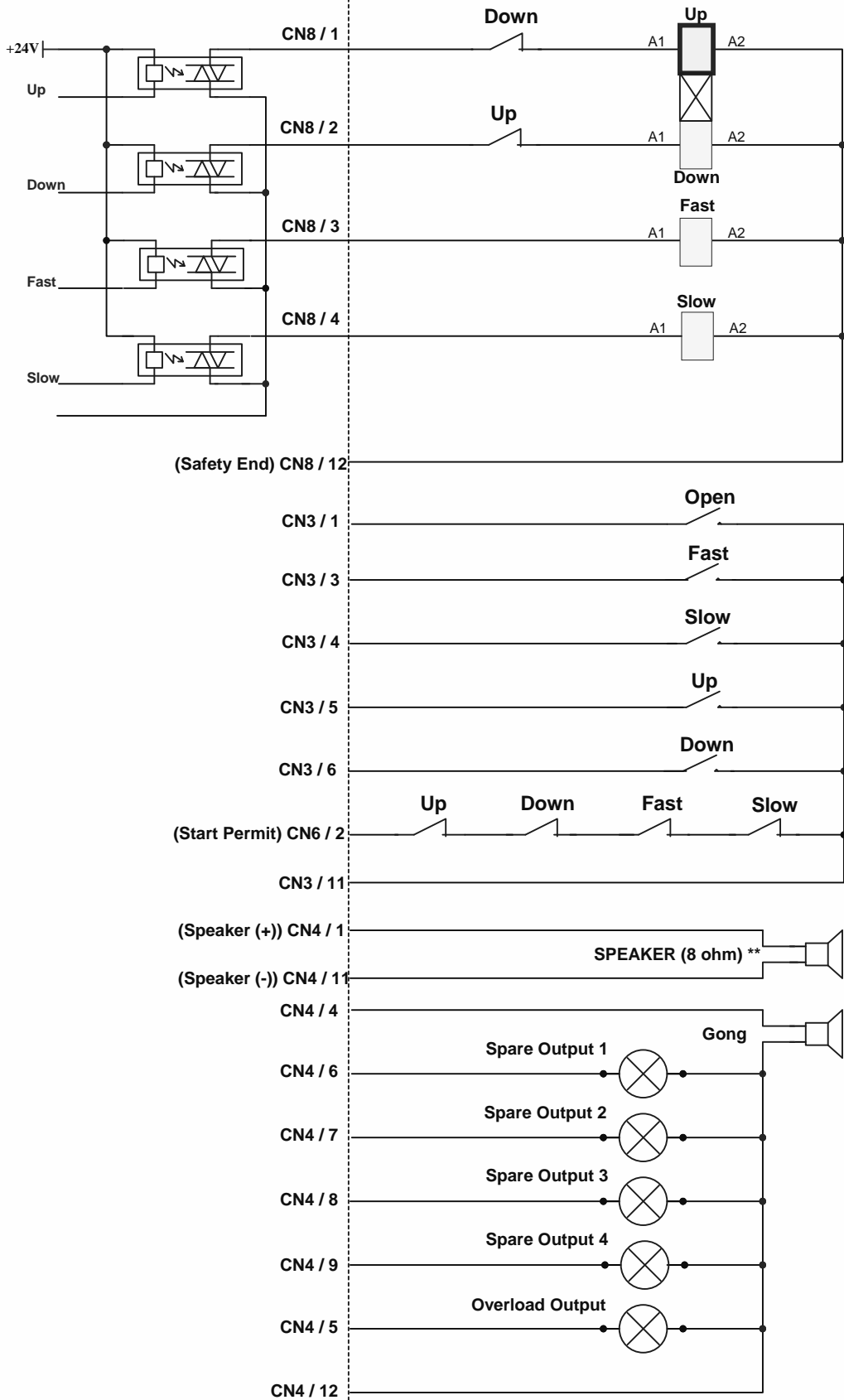


\* Refer to sheet 1

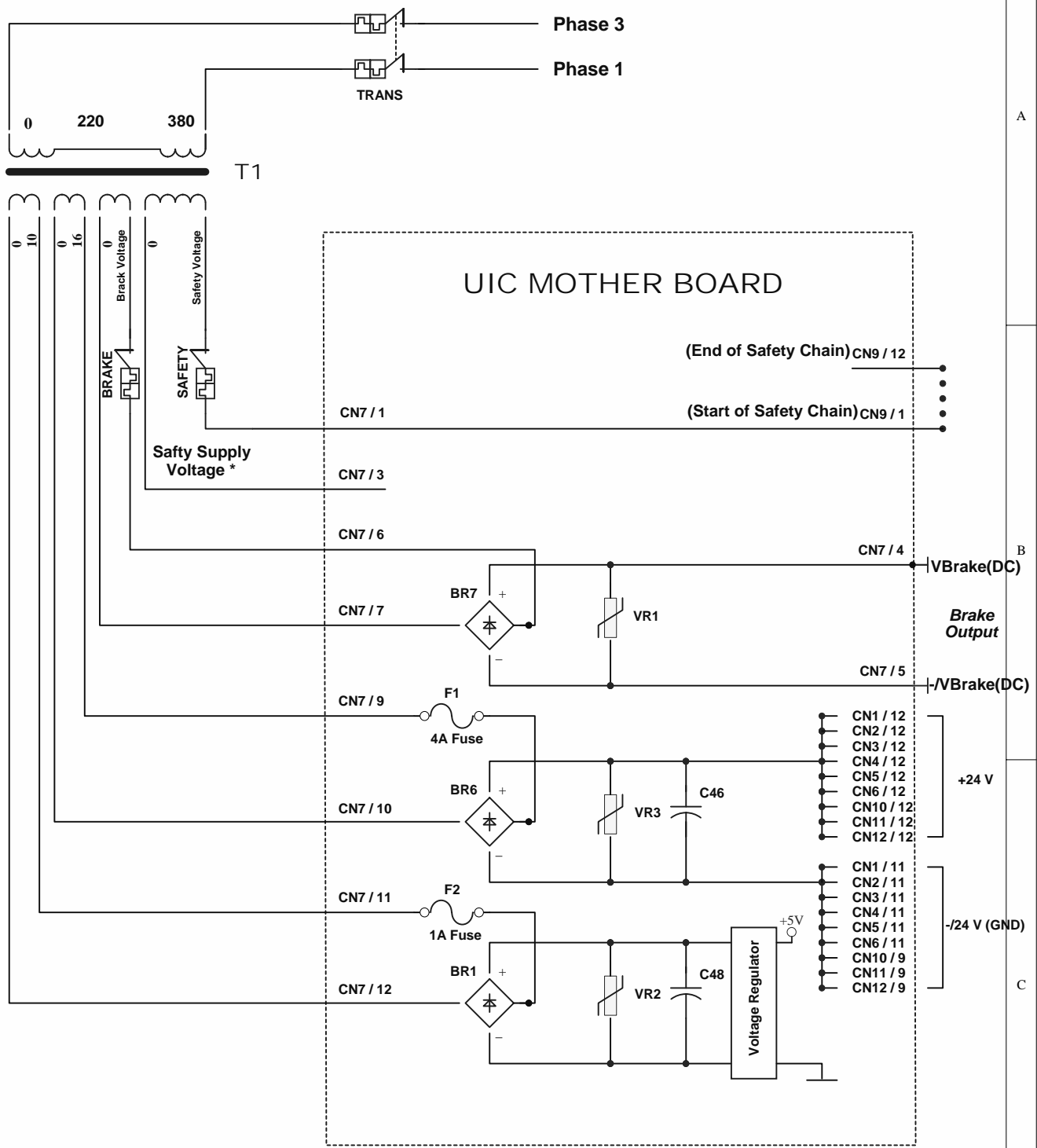


Title UIC - 2 Speed Three Phase Door Motor Wiring		
Size A4	Number	Revision 2
Date: 10/11/14	Sheet 9 of 17	
File: D:\Projects Data\19_Three Phase Door Motor Wiring\Drawings\Eng. Radwan Abu Tubaneh		

### UIC MOTHER BOARD



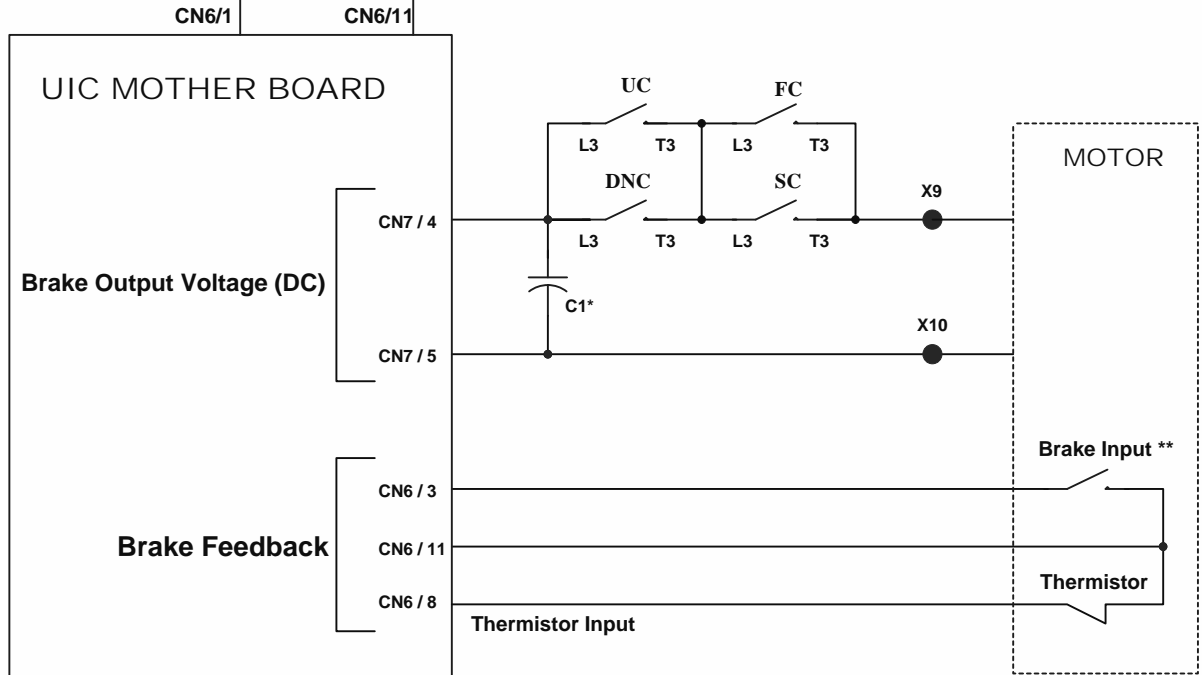
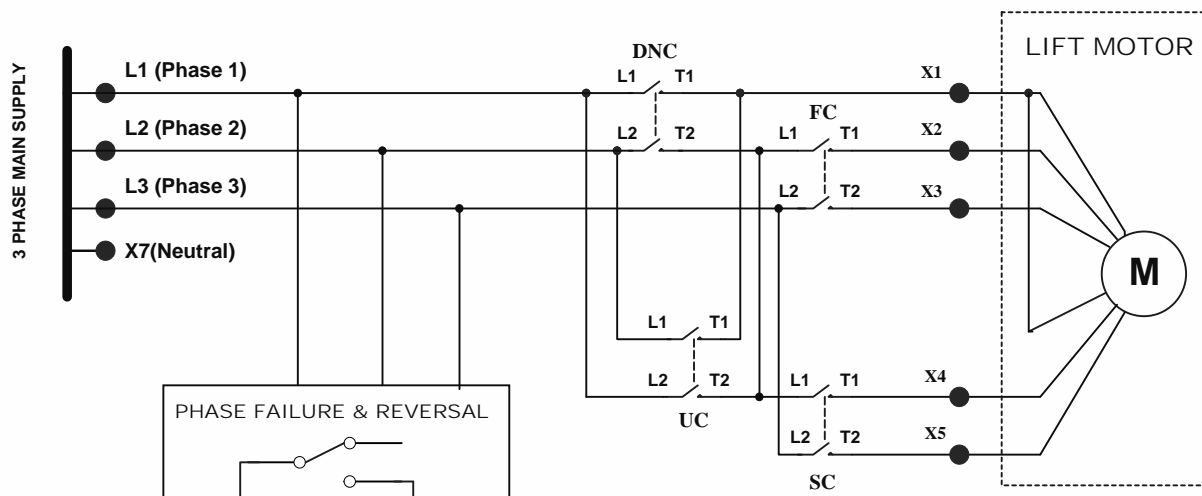
Title UIC - 2 Speed		
Controlers & Outputs Wiring		
Size A4	Number	Revision 1
Date: 10/11/14	Sheet 3 of 16	
File: D:\Projects Data\3_Contactors and Outputs By: Eng. Radwan Abu Tubbaneh		



T1 : Single Phase Transformer.  
 SAFETY: 1 A Circuit Braker.  
 BRAKE: 6 A Circuit Braker.  
 \* : Safety Supply Voltage Default 110 VAC.



Title UIC - 2 Speed Power Supply Connections		
Size A4	Number	Revision 1
Date: 10/11/14	Sheet 2 of 16	
File: D:\Projects Data\12_UIC power Supply Connections\3.01g_Radwan Abu Tubbaneh		



MAIN: 3 phase circuit breaker 6A or 4A for door motor  
 SC: Slow Contactor  
 FC: Fast Contactor  
 UC: Up Contactor  
 DNC: Down Contactor  
 \* 4uf /450V Metalized Capacitor  
 \*\* Feedback signal from brake contact if provided.



Title UIC - 2 Speed		
Main Motor Connection		
Size A4	Number	Revision 2
Date:	10/11/14	Sheet 1 of 17
File:	D:\Projects Data\..._1_Main Motor Connection.dmsch By: Eng. Radwan Abu Tubbaneh	