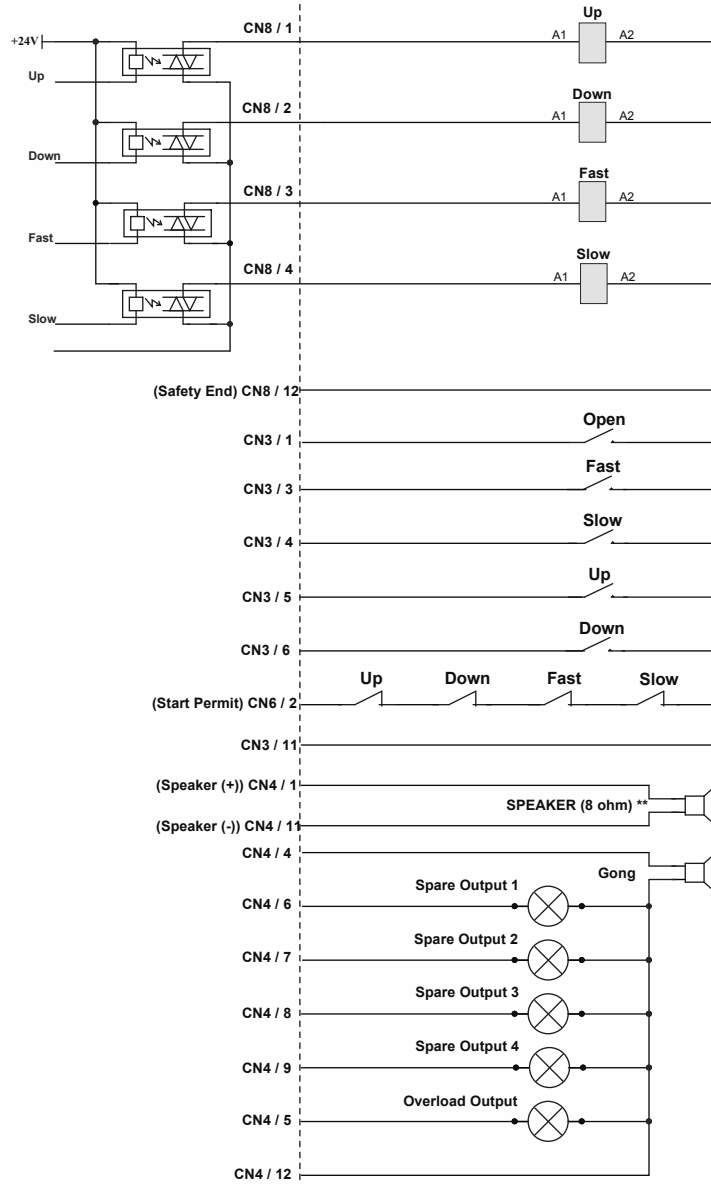


\* If R3 is mounted, the speaker must be 16 ohm.  
 \*\* If J1 is exist on the Auxiliary Board, External Ringer & Emergency Lamp must be 12Vdc.  
 \*\* If J1 is not exist on the Auxiliary Board, External Ringer & Emergency Lamp must be 6Vdc.

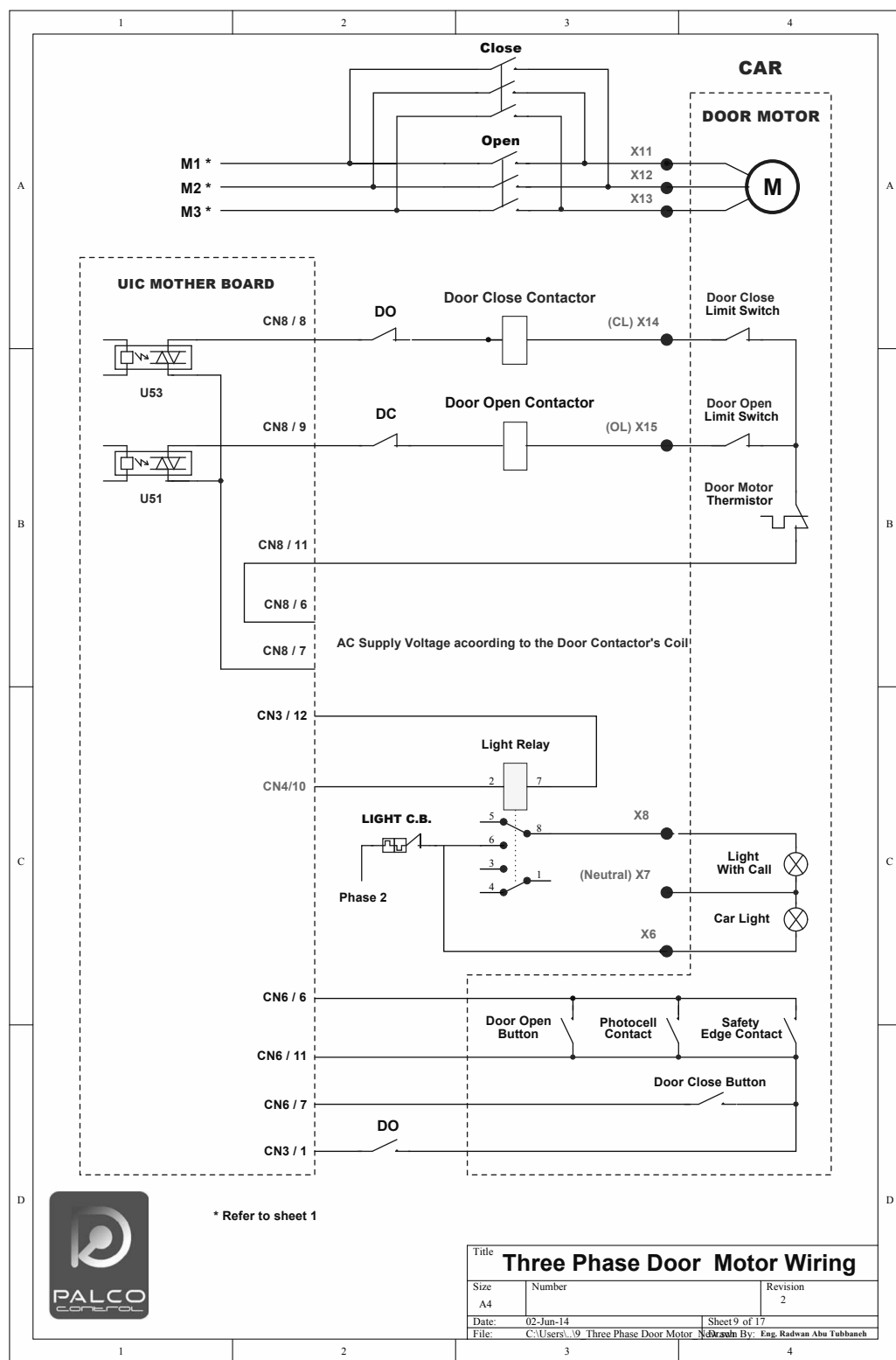


Title		
<b>Charger Board Connections</b>		
Size	Number	Revision
A4		3
Date:	02-Jun-14	Sheet 8 of 16
File:	C:\Users\177\Charger Board Connections.dwg	
Drawn By:	Eng. Radwan Abu Tuhbaneh	

### UIC MOTHER BOARD

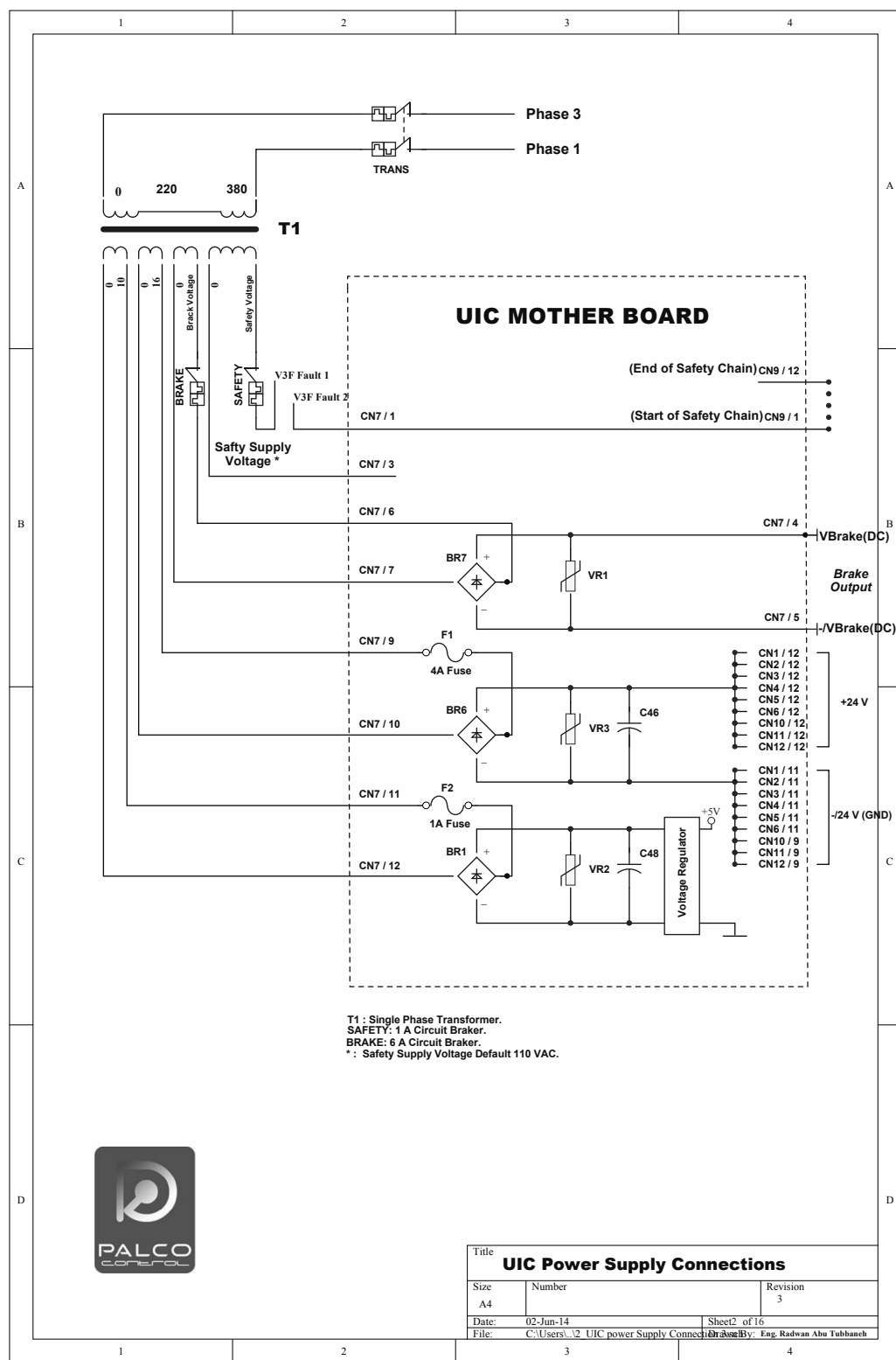


Title		
<b>Contactor&amp; Outputs Wiring (V3F)</b>		
Size	Number	Revision
A4		3
Date:	02-Jun-14	Sheet 3 of 16
File:	C:\Users\...3 Contactor and Outputs (V3F) Project By: Eng. Radwan Abu Tuhaneh	

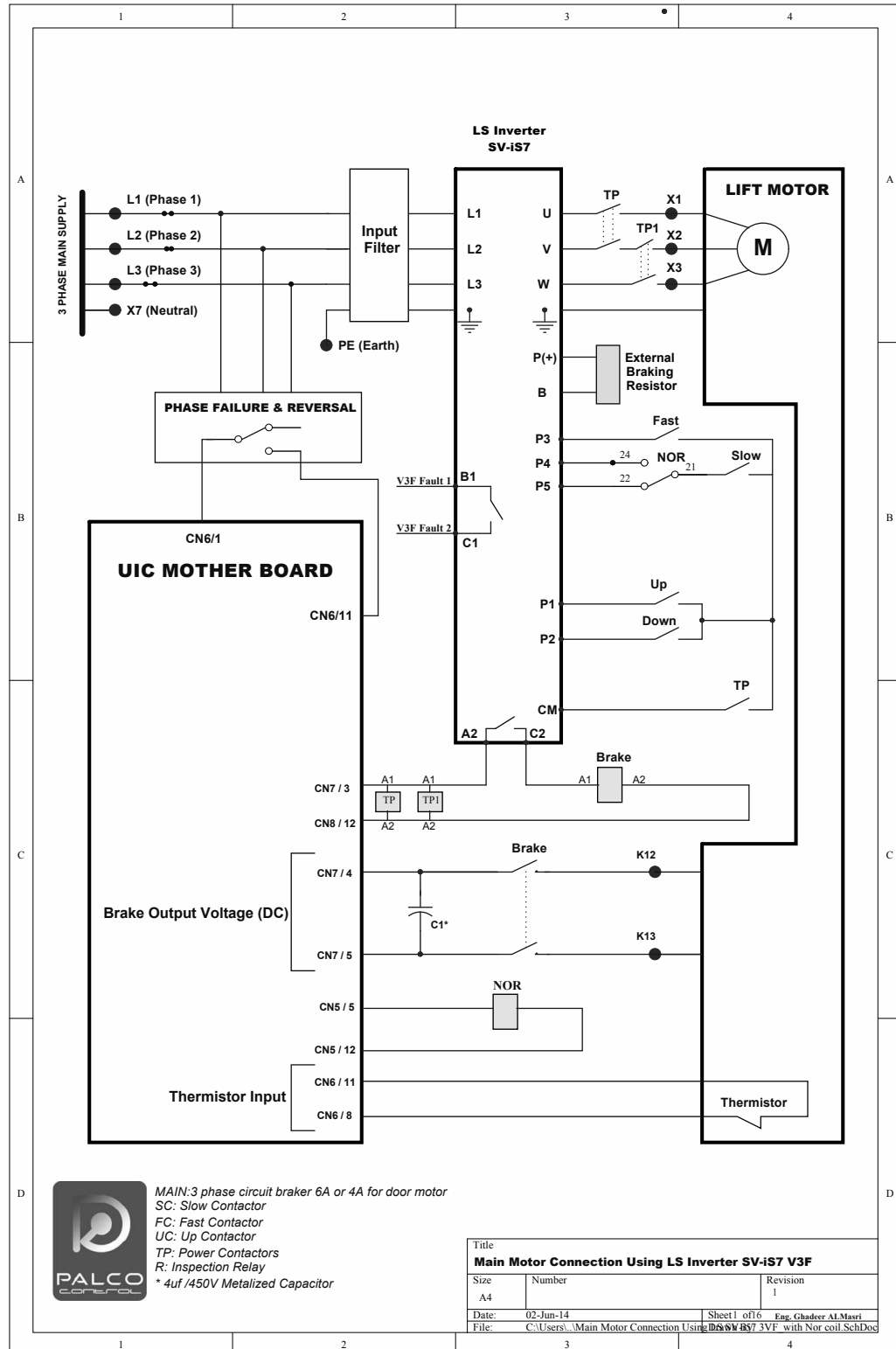


\* Refer to sheet 1

Title		
<b>Three Phase Door Motor Wiring</b>		
Size	Number	Revision
A4		2
Date:	02-Jun-14	Sheet 9 of 17
File:	C:\Users\19 Three Phase Door Motor\Drawn By: Eng. Radwan Abu Tuhbaneh	

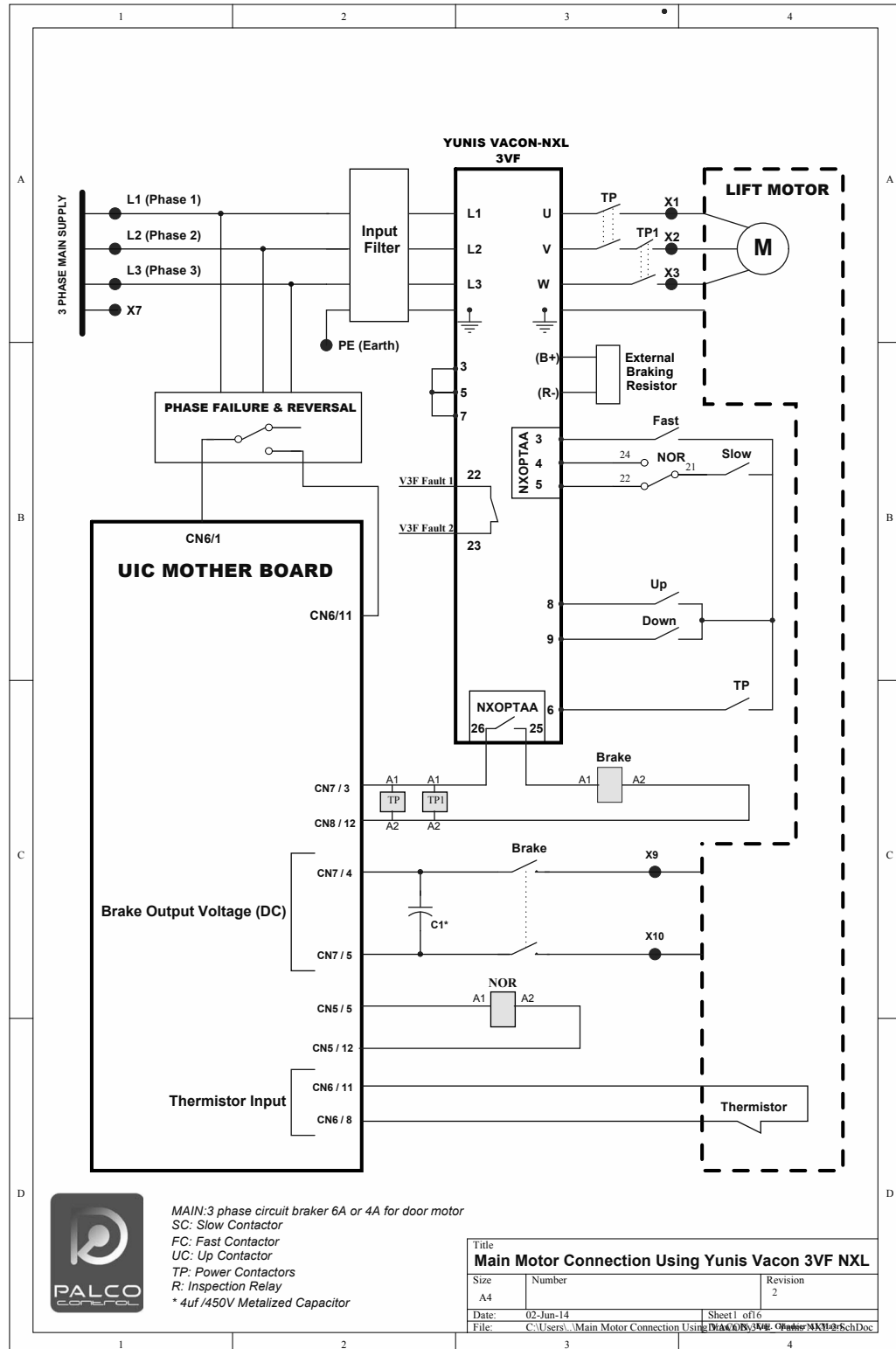


Title		
<b>UIC Power Supply Connections</b>		
Size	Number	Revision
A4		3
Date:	02-Jun-14	Sheet2 of 16
File:	C:\Users\12 UIC power Supply Connections\Drawn By: Eng. Radwan Abu Tuhbaneh	



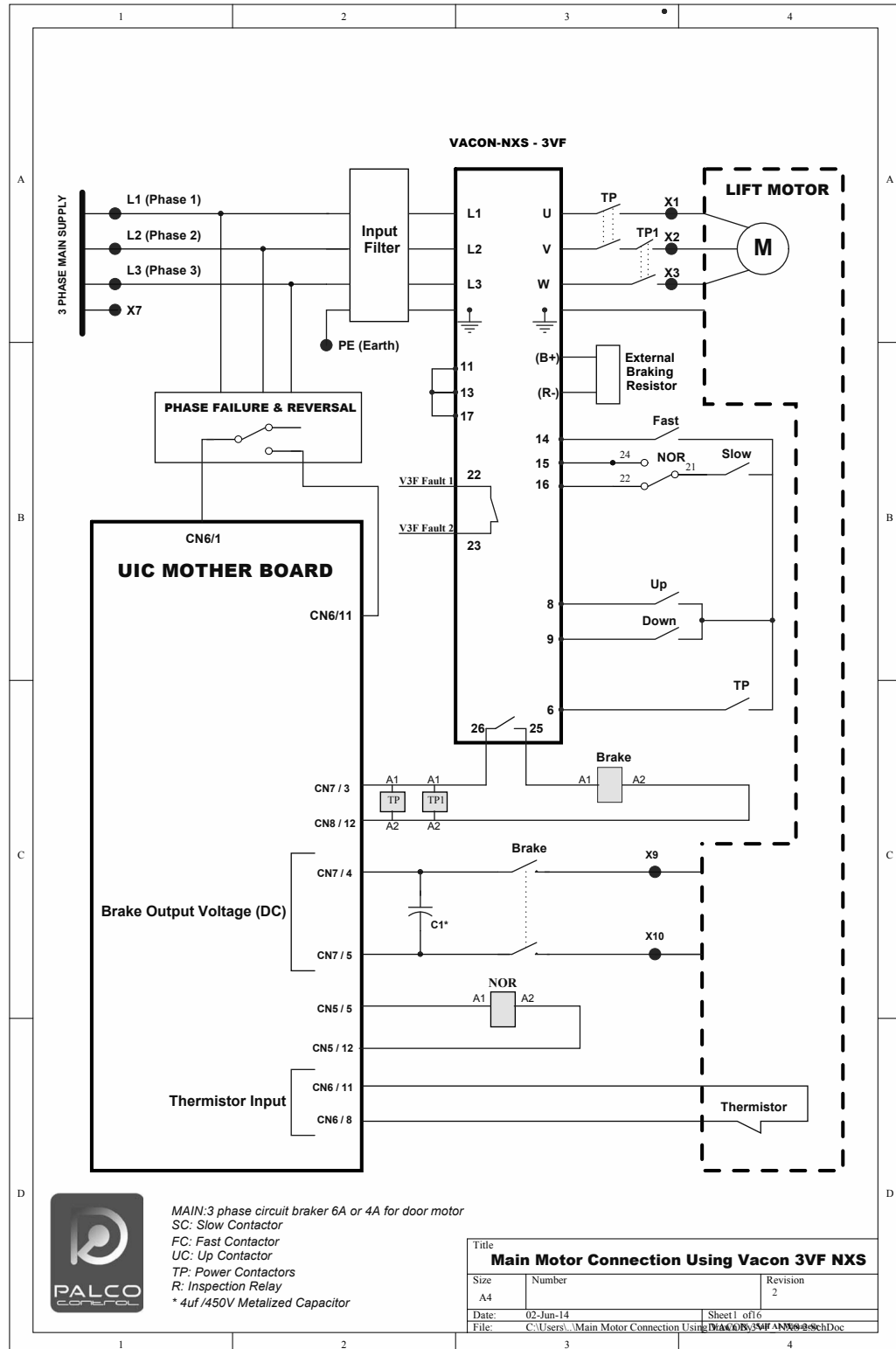
MAIN: 3 phase circuit breaker 6A or 4A for door motor  
 SC: Slow Contactor  
 FC: Fast Contactor  
 UC: Up Contactor  
 TP: Power Contactors  
 R: Inspection Relay  
 \* 4uf /450V Metalized Capacitor

Title		
<b>Main Motor Connection Using LS Inverter SV-iS7 V3F</b>		
Size	Number	Revision
A4		1
Date:	02-Jun-14	Sheet 1 of 16 Eng. Ghadeer Al-Masri
File:	C:\Users\...Main Motor Connection Using LS Inverter SV-iS7 V3F with Nor coil.SchDoc	



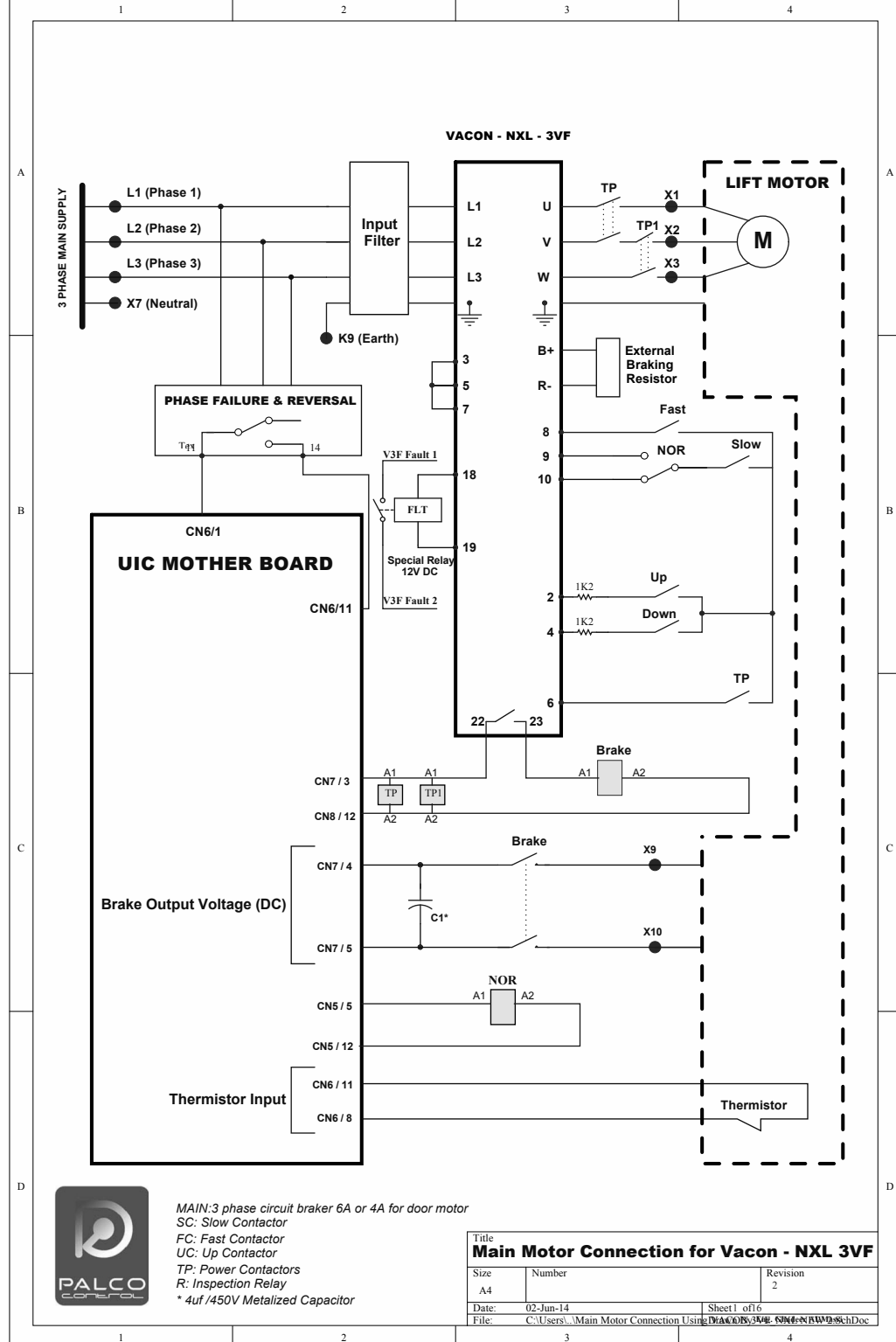
MAIN: 3 phase circuit breaker 6A or 4A for door motor  
 SC: Slow Contactor  
 FC: Fast Contactor  
 UC: Up Contactor  
 TP: Power Contactors  
 R: Inspection Relay  
 \* 4uf /450V Metalized Capacitor

Title		
<b>Main Motor Connection Using Yunis Vacon 3VF NXL</b>		
Size	Number	Revision
A4		2
Date:	02-Jun-14	Sheet 1 of 16
File:	C:\Users\...Main Motor Connection Using Yunis Vacon 3VF NXL.dwg	



MAIN: 3 phase circuit breaker 6A or 4A for door motor  
 SC: Slow Contactor  
 FC: Fast Contactor  
 UC: Up Contactor  
 TP: Power Contactors  
 R: Inspection Relay  
 \* 4uf /450V Metalized Capacitor

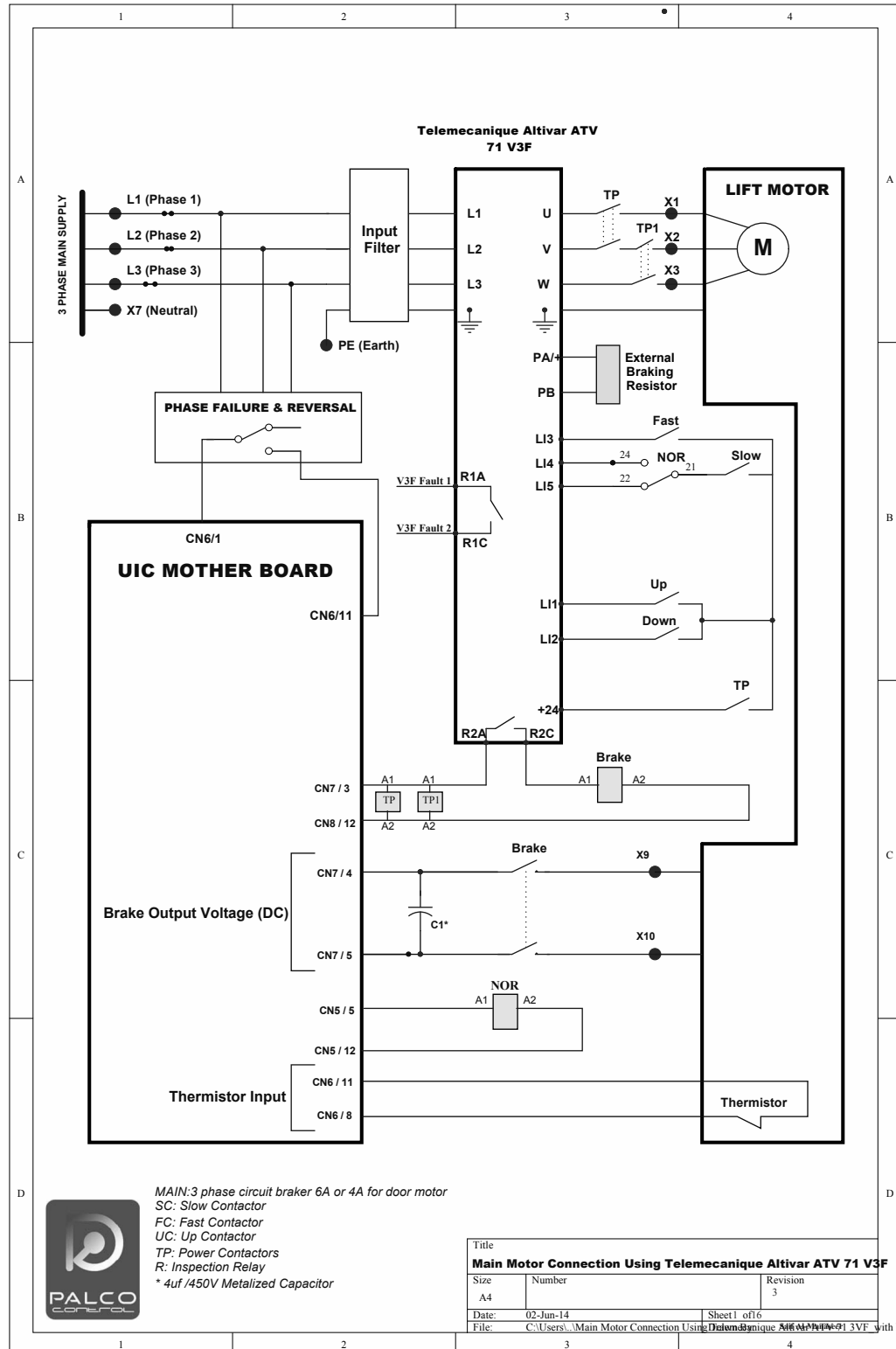
Title		
<b>Main Motor Connection Using Vacon 3VF NXS</b>		
Size	Number	Revision
A4		2
Date:	02-Jun-14	Sheet 1 of 16
File:	C:\Users\...Main Motor Connection Using Vacon 3VF NXS.dwg	



MAIN: 3 phase circuit breaker 6A or 4A for door motor  
 SC: Slow Contactor  
 FC: Fast Contactor  
 UC: Up Contactor  
 TP: Power Contactors  
 R: Inspection Relay  
 \* 4uf /450V Metallized Capacitor

Title		
<b>Main Motor Connection for Vacon - NXL 3VF</b>		
Size	Number	Revision
A4		2
Date:	02-Jun-14	Sheet 1 of 16
File:	C:\Users\...Main Motor Connection Using VACON NXL 3VF 600V-NRW0 SchDoc	





MAIN: 3 phase circuit breaker 6A or 4A for door motor  
 SC: Slow Contactor  
 FC: Fast Contactor  
 UC: Up Contactor  
 TP: Power Contactors  
 R: Inspection Relay  
 \* 4uf /450V Metalized Capacitor

Title		
<b>Main Motor Connection Using Telemecanique Altivar ATV 71 V3F</b>		
Size	Number	Revision
A4		3
Date:	02-Jun-14	Sheet 1 of 16
File:	C:\Users\...Main Motor Connection Using Telemecanique Altivar ATV 71 V3F with Nor coil 3.SCHDOC	