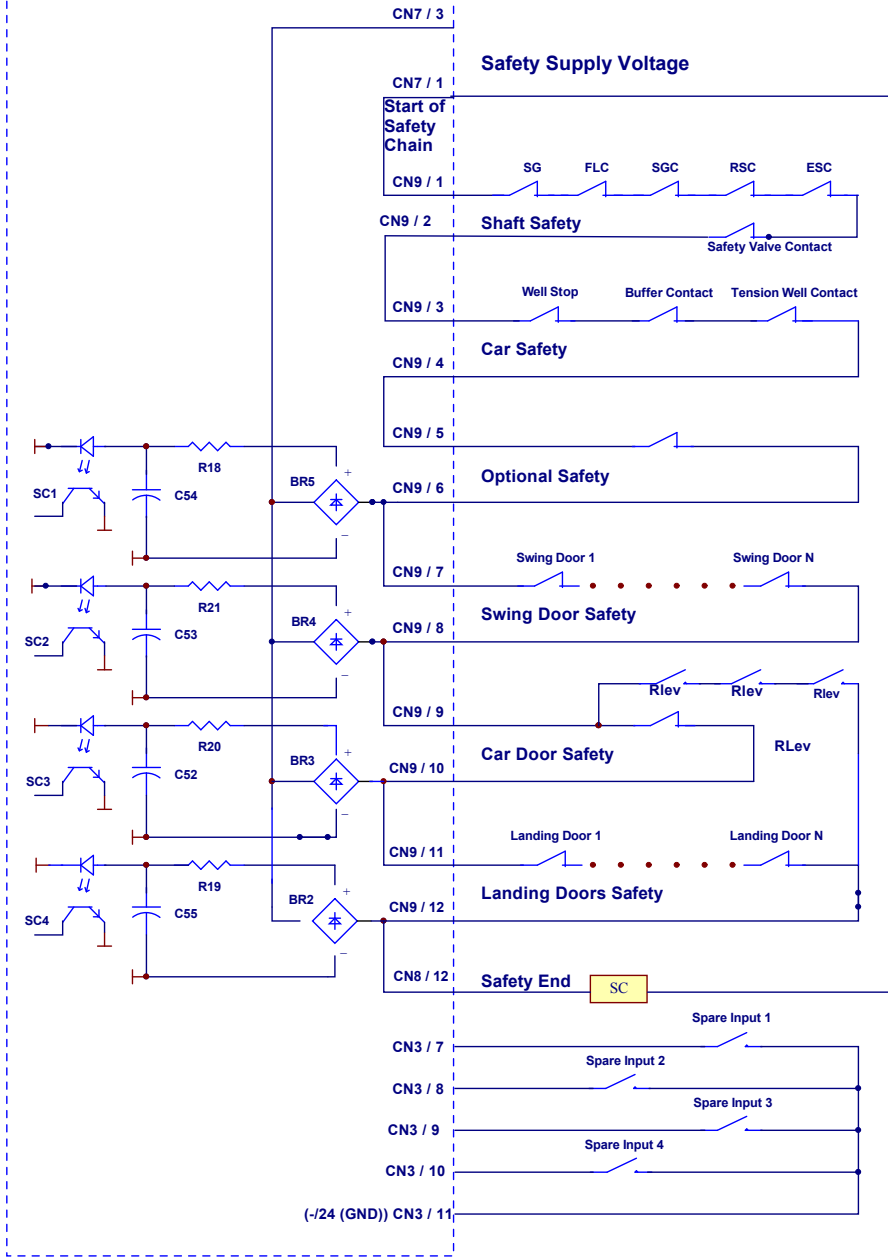
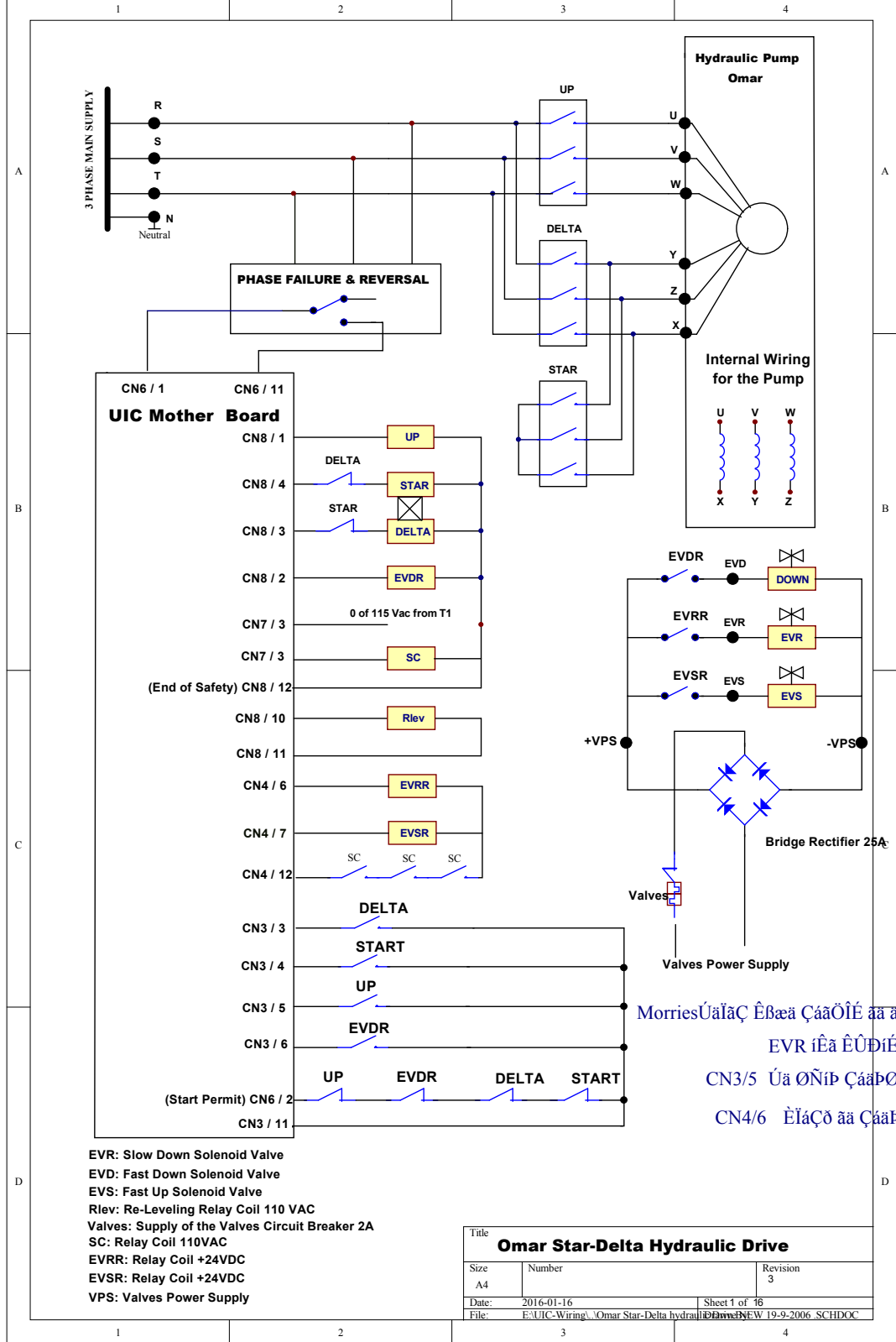


UIC MOTHER BOARD



FLC: Final Limit Switch
SGC: Safety Gear Contact
RSC: Rope Slack Contact
ESG: Emergency Stop Contact
SG: Speed Governor
 In case of swing door, the external door contacts must be connected to CN9 / 7 and CN9 / 8, and the lock of the external door must be connected between CN9 / 11 and CN9 / 12.

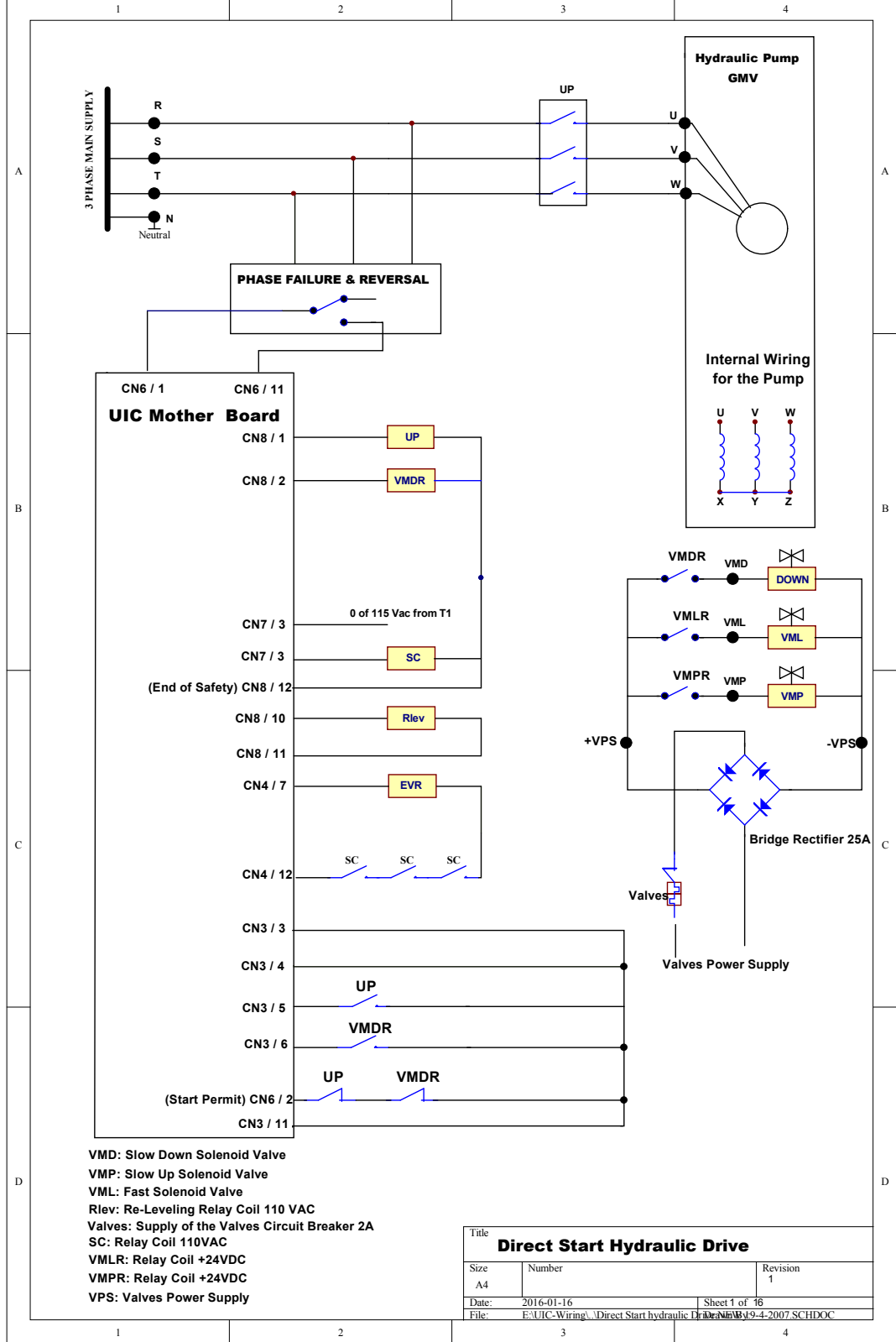
Title		
Safety Chain & Spare Inputs Wiring		
Size	Number	Revision
A4		2
Date:	2016-01-16	Sheet 6 of 16
File:	E:\UIC-Wiring\Safety Chain & Spare Inputs (2016-01-16).HSAH.DWG H Sahah	



EVR: Slow Down Solenoid Valve
EVD: Fast Down Solenoid Valve
EVS: Fast Up Solenoid Valve
Rlev: Re-Leveling Relay Coil 110 VAC
Valves: Supply of the Valves Circuit Breaker 2A
SC: Relay Coil 110VAC
EVRR: Relay Coil +24VDC
EVSR: Relay Coil +24VDC
VPS: Valves Power Supply

Title		
Omar Star-Delta Hydraulic Drive		
Size	Number	Revision
A4		3
Date:	2016-01-16	Sheet 1 of 16
File:	E:\UIC-Wiring\Omar Star-Delta hydraulic Drive\NEW 19-9-2006 SCHDOC	

Morries ÚaiaÇ Êbæa ÇaaÖiÉ aa ææÚ
 EVR iÉa ÈÚDiÉ
 CN3/5 Úa ØNiP ÇaaÖiÉ
 CN4/6 ÈiÇò aa ÇaaÖiÉ



VMD: Slow Down Solenoid Valve
VMP: Slow Up Solenoid Valve
VML: Fast Solenoid Valve
Rlev: Re-Leveling Relay Coil 110 VAC
Valves: Supply of the Valves Circuit Breaker 2A
SC: Relay Coil 110VAC
VMLR: Relay Coil +24VDC
VMPR: Relay Coil +24VDC
VPS: Valves Power Supply

Title		
Direct Start Hydraulic Drive		
Size	Number	Revision
A4		1
Date:	2016-01-16	Sheet 1 of 16
File:	E:\UIC-Wiring\Direct Start hydraulic Drive\9-4-2007 SCHDOC	